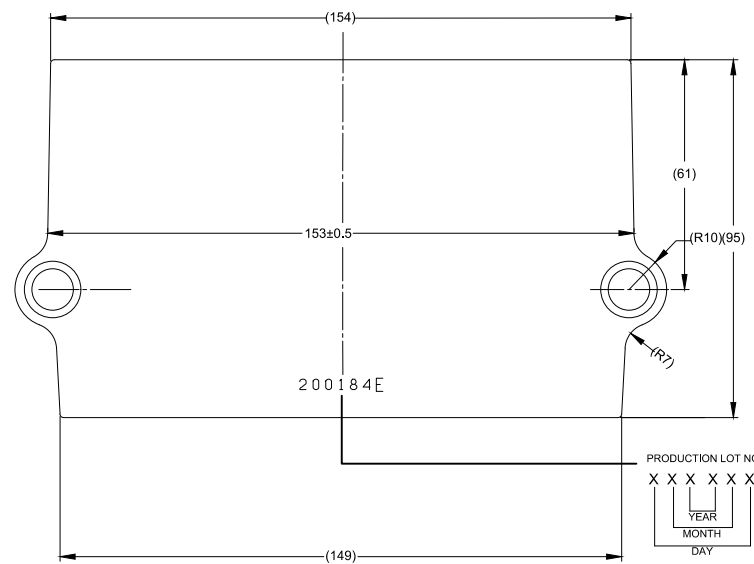
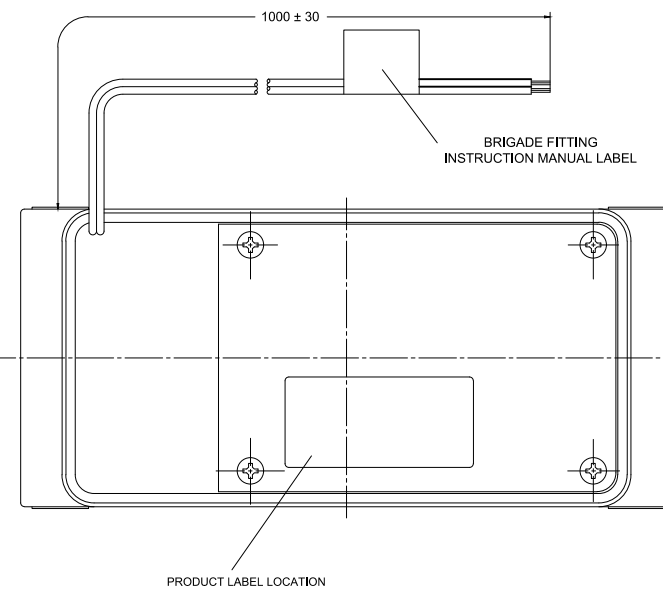
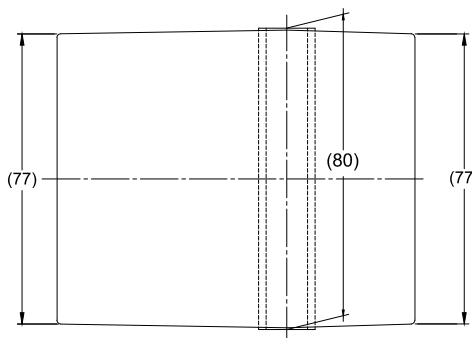
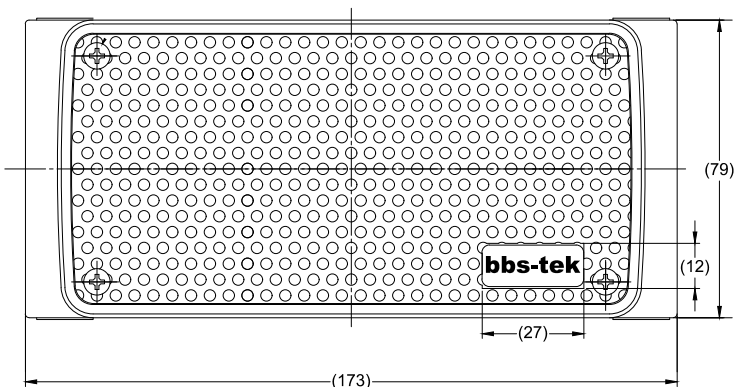


Revision Notes:

APA: - Drawn: Checked: Approved: Date:



SPECIFICATION:
 1) RATED VOLTAGE: 12/24 VOLTS DIRECT CURRENT
 2) RATED CURRENT: 1 AMPERE OR LESS AT RATED VOLTAGE OF 24 VOLTS
 3) SOUND PRESSURE: 107 ± 4 DECIBELS AT RATED VOLTAGE OF 24 VOLTS.
 (AS MEASURED AT A DISTANCE OF 1.2 METERS AND AT A HEIGHT OF 1.2 METERS ABOVE THE GROUND)
 4) INTERMITTENCY: 90±10 CYCLES PER MINUTE AT RATED VOLTAGES OF 24 VOLTS
 5) TONE: WHITE SOUND.

NOTES:
 1. FOR PACKAGING & LABELING DETAIL REFER TO THE LATEST REVISION OF THE MASTER BOM.

E= EUROPE
 U= USA
 A= AUSTRALIA

PROPRIETARY NOTICE
 THIS DESIGN AND TECHNICAL INFORMATION APPEARING ON THIS DRAWING IS THE PROPERTY OF BRIGADE ELECTRONICS, AND IS DISCLOSED IN CONFIDENCE. IT IS NOT TO BE COPIED, REPRODUCED, REVEALED TO OR EXPROPRIATED BY OTHERS, EITHER IN WHOLE OR IN PART WITHOUT THE EXPRESS WRITTEN CONSENT OF BRIGADE ELECTRONICS.

BRIGADE
 www.brigade-electronics.com

Assembly Pl Approval W. FUKUZAWA		Approved by A. KEBEDE		Checked by E. MATHEW		Drawn by J. YU	
Angle of Projection 		Units mm	Scale N/A	Released 10/03/2025	Assembly Ref -		
Status RELEASED		BBS-107					
Part No 0899B		BE-005019-00-25					